

DECCA Pendant
3-36-xxxx

oxygen

FIXTURE TYPE _____
PROJECT _____

LOCATION _____
DATE _____



-2440 Walnut/Aged Brass

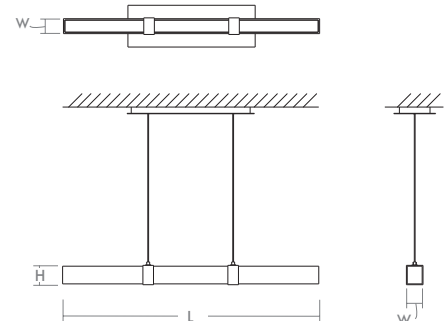


-1540 Black Oak/Aged Brass
(with Aged Brass Canopy)



-5224 White Oak/Satin Nickel
(with Satin Nickel Canopy)

| | |
|------------------------------------|---|
| LIGHT SOURCE | LED Array, 3000K, CRI 90 |
| LUMINAIRE POWER | 28.6W at 120V |
| RATED LIFE | 50000 hr RL |
| OPTIONAL COLOR TEMPERATURES | 3000K Only |
| LUMEN OUTPUT | Delivered: 506 lm (LM-79) |
| INPUT VOLTAGE | 120V AC, 60Hz |
| DRIVER OUTPUT | 24Vdc Constant Voltage, 1.7A max current |
| DIMMING | TRIAC Dimming (Forward Phase, Magnetic Low Voltage) |
| CONSTRUCTION | Cold Rolled Steel Canopy, Wood Housing |
| DIFFUSER | - Matte White Acrylic |
| FINISHES | Black Oak/Aged Brass (-1540), Walnut/Aged Brass (-2440), White Oak/Satin Nickel (-5224) |
| MOUNTING | 4" Octagonal J-Box |
| STANDARDS | ETL Dry listed, Conforms to UL STD 1598, Certified CAN/CSA STD C22.2 No 250.0. |



DIMENSIONS

Canopy: 18.00" L x 6.00" W x 1.00" H
Fixture: 36.25" L x 2.125" W x 2.75" H
*** Hanging height adjustable with 10ft. cables**

Order example for standard fixture:
3-36-1540 (x- Voltage - xxx-Sequence # - xx-Finish)
3: 120V Only

