

# Sol Ceiling Fan

## 3-104-xx

oxygen

FIXTURE TYPE \_\_\_\_\_ LOCATION \_\_\_\_\_

PROJECT \_\_\_\_\_ DATE \_\_\_\_\_



-6 White with Optional LED Light kit



-6 White



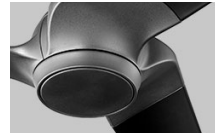
Without light kit



-24 Satin Nickel



Without light kit



-15 Black



Without light kit



-22 Oiled Bronze



Without light kit



-20 Polished Nickel



Without light kit

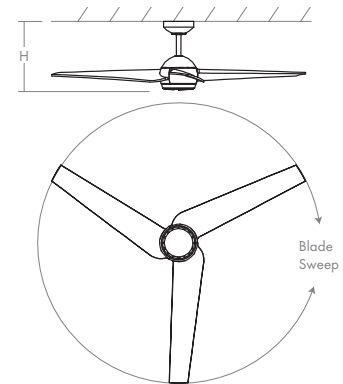
**SPECIFICATIONS** 3 Blades / 52" Blade Sweep / 15° Blade-Pitch  
4.5" downrod (Included).  
Optional downrods available for high ceilings  
6 Speeds - Reversible  
0.39A on high / 0.07A on low  
23W on high / 3W on low  
168 rpm on high / 69 rpm on low  
Remote Control 3-8-3000 (Optional - Not Included)

**INPUT VOLTAGE** 120V

**ENERGY SPECIFICATIONS** Airflow: 4664 CFM  
Electric Energy Consumption: 23 W  
Airflow efficiency: 202 CFM/W  
Note: Measured at high speed

**FINISHES** White (-6), Black (-15), Polished Nickel (-20),  
Oiled Bronze (-22), Satin Nickel (-24)

**STANDARDS** ETL Dry, ETL Damp (Black Finish Only)



**DIMENSIONS**

**Blade Sweep:** 52.00"

**Ht.:** 11.50"

**Ceiling to Blades:** 8.00"

**Note:** Measured using 4" downrod

**OPTIONAL LIGHT INFORMATION**

**LIGHT KIT NUMBER** 3-9-102

**LUMEN OUTPUT** 743 lm (LM-79)

**LIGHT SOURCE** LED Light kit 15W, 3000K, 90CRI  
Dimmable LED

<b>ENERGYGUIDE</b>	
Estimated Yearly Energy Cost <b>\$5</b>	Airflow <b>3,272</b> Cubic Feet Per Minute
	<ul style="list-style-type: none"> <li>The higher the airflow, the more air the fan will move</li> <li>Airflow Efficiency: 202 Cubic Feet Per Minute Per Watt</li> </ul>
<small>Cost Range of Similar Models (19" - 84")            • Based on 12 cents per kWh and 6.4 hours use per day            • Your cost depends on rates and use            • Energy User: 10 Watts            All estimates based on typical use, excluding lights</small>	
<small>ftc.gov/energy</small>	

